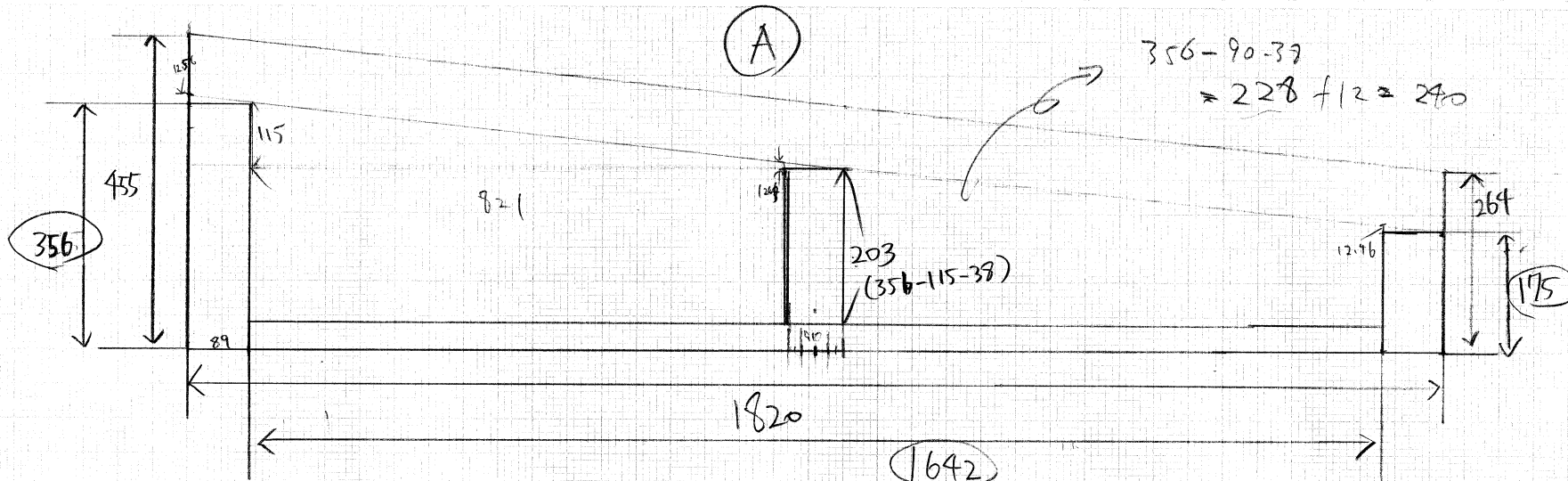


954.5

445



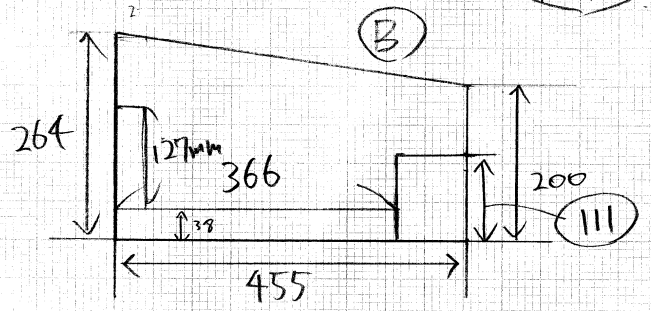
$$356 - 90 - 39 = 228 + 12 = 240$$

4面 (A)

- 1642mm
- 356mm
- 203mm
- 175mm

(B)

- 366mm
- 111mm



$$264 - 38 - 99 - 10 = 127\text{mm}$$

~~7.975°~~